

# PRESSURE SWITCH EXPLOSION PROOF TYPE PSA2000X

**CLASS I, GROUPS A, B, C, D;  
CLASS II, GROUPS E, F, G; NEMA 4X**  
Proof Pressure to 3000psi  
Adjustable Ranges: 10~1300psi  
Temperature: -25 to 205°C  
Dead Band: Adjustable



The New-Flow PSA2000X, an explosion proof pressure switch, is designed to be used in control systems. PSA2000X has high set point repeatability and adjustable dead band features. There are a variety of range selections available upon request. Easily adjusted to the set point, no special tools needed!

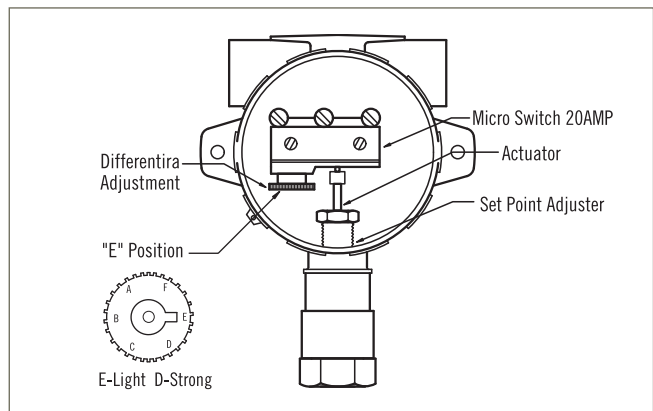
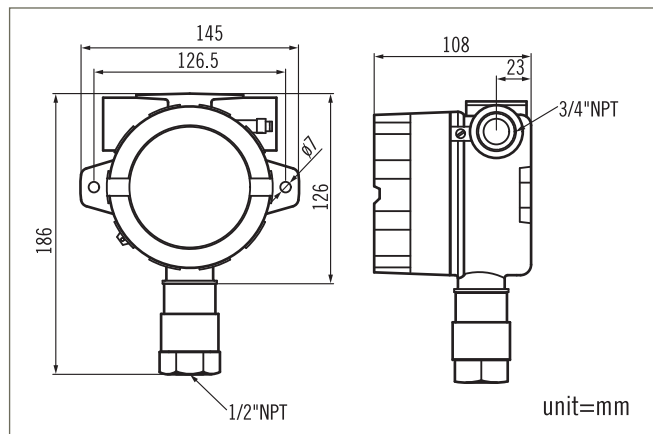
### Technical Data

- Switch Data:** 20Amp @ 125, 250 or 480 VAC
- Housing:** die cast aluminum alloy with paint
- Conduit Connection:** 3/4" or 1/2" NPT Female
- Pressure Element:** welded type diaphragm
- Process Materials:** wetted parts are all in SS316
- Process Connection:** 1/2" or 1/4" NPT Female

### Range Selection Table

Code	Pressure Range	Adjustable Dead Band at "E" Position	Maximum Pressure Proof
10R	10~100psi	10~25	3000psi
20R	35~200psi	20~50	3000psi
30R	50~300psi	30~75	3000psi
60R	100~600psi	60~150	3000psi
130R	200~1300psi	130~325	3000psi

### Dimensions



### Ordering Information

PSA2000X	Code	Range									
		10R	10~100psi	20R	35~200psi	30R	50~300psi	60R	100~600psi		
		130R	200~1300psi								
		<b>Code</b>	<b>Wetted Material</b>								
		A	SS316								
		<b>Code</b>	<b>Process Connection</b>								
			(1) 1/2" NPT Female (2) 1/4" NPT Female								
		<b>Code</b>	<b>Conduit Connection</b>								
			(E) 3/4" NPT Female, standard (F) 1/2" NPT Female								
		<b>Code</b>	<b>Switch Form</b>								
		1	One SPDT								
PSA2000X										Complete Ordering Code	